



### Features:

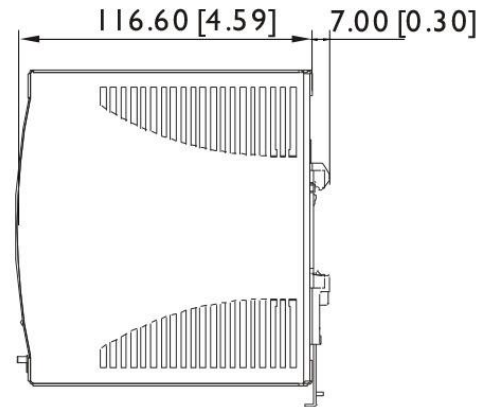
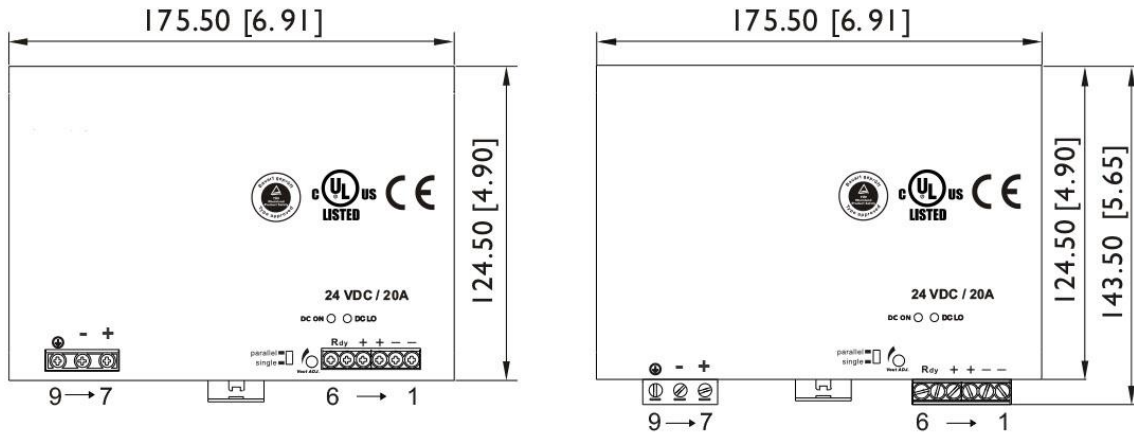
- High voltage input
- SELV components design
- Short circuit protection
- Internal input filter
- Over temperature protection
- Parallel function available (switch)

### Specifications

Model	CF480-DD24	CF480-DD48	
Output	Dc voltage	24V	48V
	Rated current	20 A @ 24Vdc / 16.8 A @ 28.5Vdc	10 A @ 48Vdc / 8.5 A @ 56Vdc
	Rated power	480W	480W
	Voltage adj. Range	22.5 - 28.5VDC	47 – 56VDC
	DC ON indicator threshold At start up (Green LED)	17.6 – 19.4V	37 – 43V
	DC LOW indicator threshold After start up (Red LED)	17.6 – 19.4V	37 – 43V
	Line regulation	±0.5%	
	Ripple + noise max.	100mVp-p	
	Load regulation	±1.0% single mode ±5.0% parallel mode	
	Setup – rise time	1000ms - 150ms	
Input	Voltage range	120 – 375VDC	
	Efficiency (typ.)	Min 86%, typ 88%	Min 87%, typ 90%
	DC current (typ.)	5A @150VDC, 2.6A @300VDC	
	Inrush current	Max 50A	
Protection	Overload	110-140% rated output power	
	Over voltage	30 – 33V	60 – 66V
	Output short circuit	Fold forward	
Environment	Working temp.	-40 - +70°C (refer to “derating curve”)	
	Working humidity	20-95% RH non-condensing	
	Storage temp. Humidity	-40 - +85°C 10-95 RH	
	Temp. Coefficient	±0.03% / °C (0-50°C)	
	Vibration	meet IEC 60068-2-6 (Mounting on rail : 10-500 Hz, 2G, along X, Y,Z each Axis, 60 min for each Axis )	
Safety and EMC	Safety standards	UL 508 Listed	
		UL 60950-1 Recognized ISA 12.12.01(Class I, Division 2, Groups A, B, C and D) EN 60950-1 EN 61558-1, EN 61558-2-16 (meet EN 60204-1) EN 61000-6-3, EN 55032 class B, EN 61000-3-2, EN 61000-3-3 EN 61000-6-2, EN 55024, EN 61000-4-2 Level 4, EN 61000-4-3 Level 3 EN 61000-4-4 Level 4, EN 61000-4-5 L-N Level 3, L / N-FG Level 4 EN 61000-4-6 Level 3, EN 61000-4-8 Level 4, EN 61000-4-11 ENV 50204 Level 2, EN 61204-3	
Others	MTBF	403K hrs min. Bellcore Issue 6 @40°C, GB	416K hrs min. Bellcore Issue 6 @40°C, GB
	Parallel operation	0.1 Io min ~ 0.9 Io max, up to 3 units	
	Dimension	Screw terminal type 124.5 x 175.5 x 123.6 mm (4.9 x 6.91 x 4.87 inches) Detachable connector type 143.5 x 175.5 x 123.6 mm (5.65 x 6.91 x 4.87 inches)	

## Mechanism & Pin Configuration

mm [inch]



### GENERAL TOLERANCE

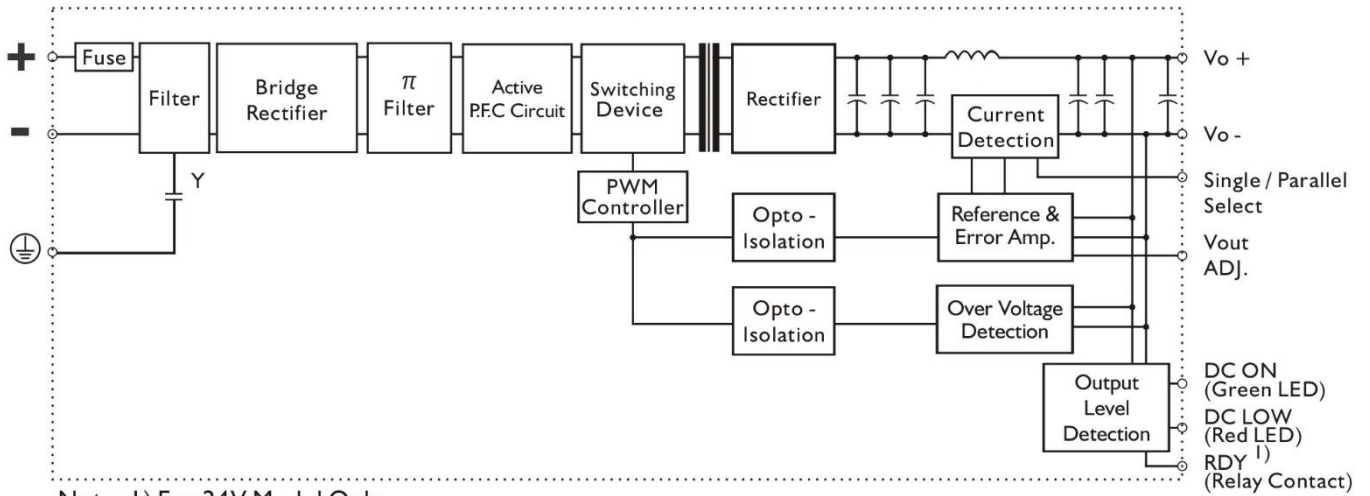
0.00[0.00] - 30.00[1.18]	±0.30[0.01]
30.00[1.18] - 120.00[4.72]	±0.50[0.02]
120.00[4.72] - 400.00[15.75]	±0.80[0.03]

Pin no	Designation	Description
1, 2	V-	Negative output terminal
3, 4	V+	Positive output terminal
5, 6	Rdy	A normal open relay contact for DC ON level control. 24V model only
7	Vi+	Positive input terminal
8	Vi-	Negative input terminal
9	PE	Ground this terminal to minimize high-frequency emissions

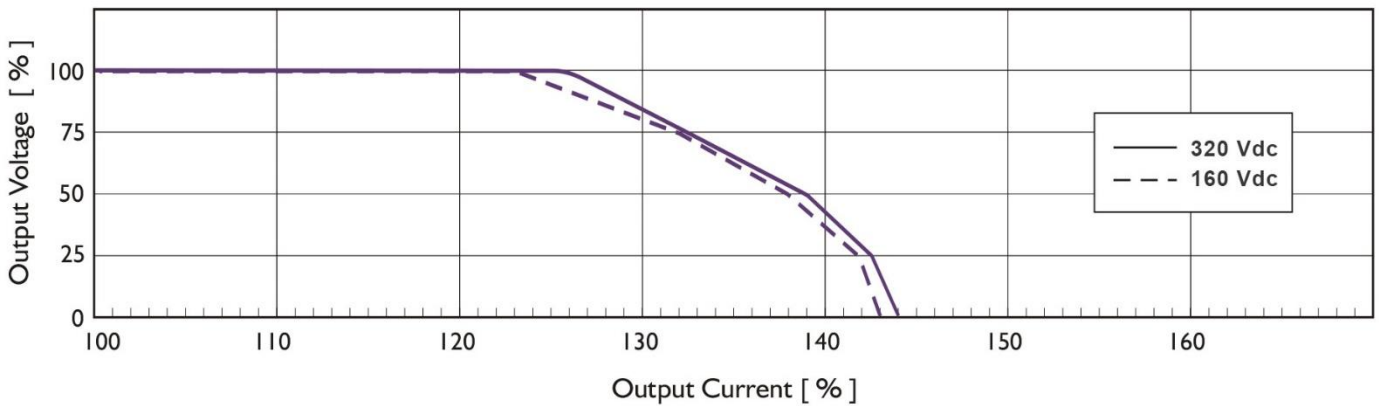
Designation	Description
DC ON	Operation indicator LED
DC LO	DC LOW voltage indicator LED
Vout ADJ.	Trimmer-potentiometer for Vout adjustment
S/P	Single / Parallel select switch

## Circuit Schematic

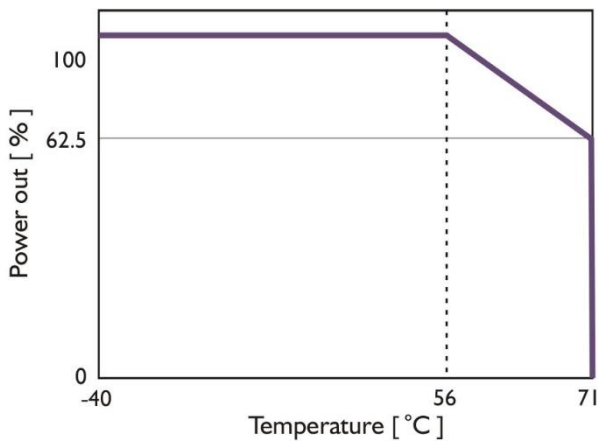
Block diagram



## Typ. Current Limited Curve



## Derating Curve



## Typ. Efficiency Curve

