



## Features:

- Pure sine wave output
- Remote Control
- IP54 enclosure
- Overload protection
- Temperature protection
- Short circuit protection
- Deep Discharge protection
- High voltage protection
- Two digital displays
- LED Alarm and Automatic Recovery
- High efficiency

## Description

The DWE3200-DA consist of an inverter built into an IP54 enclosure. It is equipped with a remote on/off contact and a battery fuse for input voltages of 36V and above.

The output is a pure sine wave capable of powering loads up to 3200W.

## Specifications

	DWE3200-DA12	DWE3200-DA24	DWE3200-DA36	DWE3200-DA48	DWE3200-DA60	DWE3200-DA72	DWE3200-DA96	DWE3200-DA110
<b>Input DC voltage</b>	12V	24V	36V	48V	60V	72V	96V	110V
<b>DC voltage range</b>	10 – 15.5V	20 – 31V	28 – 47V	40 – 61V	44 – 78V	58 – 89V	80 – 120V	84 – 126V
<b>Low voltage alarm</b>	10.5V ±0.5V	21V ±0.5V	29.4V ±0.5V	42V ±0.8V	46.2V ±1V	60V ±1V	82V ±1V	86V ±1V
<b>Low voltage shutdown</b>	10V ±0.5V	20V ±0.5V	28V ±0.5V	40V ±0.8V	44V ±1V	58V ±1V	85V ±1V	83V ±1V
<b>Over voltage shutdown</b>	15.5V ±0.5V	31V ±0.5V	47V ±0.5V	61V ±0.8V	78V ±1V	89V ±1V	122V ±1V	128V ±1V
<b>Recovery voltage</b>	13V ±0.5V	24V ±0.5V	37.5V ±0.5V	48V ±0.8V	61V ±1V	71V ±1V	100V ±1V	105V ±1V
<b>No load current</b>	2A	1A	670mA	500mA	750mA	630mA	470mA	410mA
<b>Battery Fuse rating</b>	x	x	125A	100A	80A	63A	50A	50A
<b>Battery Fuse type</b>	x	x	22x58	22x58	22x58	22x58	22x58	22x58
<b>Output AC voltage</b>	230VAC ±5% (100, 110, 115, 120, 220, 240VAC available on request)							
<b>AC Regulation</b>	THD<3% (Linear Load)							
<b>Wave form</b>	Pure Sine Wave							
<b>Frequency</b>	50Hz ±0.5Hz (60Hz available on request)							
<b>Efficiency</b>	92%							
<b>Continuous power</b>	32000W							
<b>Surge power</b>	6400W							
<b>Start</b>	Soft-start							
<b>Cooling</b>	Intelligent Cooling Fan							
<b>Protection</b>	Low Voltage/Over Voltage			LED Alarm and Automatic Recovery				
	Overload			LED Alarm and Automatic Recovery				
	Over Temperature			LED Alarm and Automatic Recovery				
	Short Circuit			LED Alarm and Automatic Recovery				
	Ingress Protection			IP54				
<b>Working temp.</b>	-10°C - +40°C							
<b>Certification</b>	CE, RoHS, EN60940-1:2006+A11:2009+A1:2010+A12:2012+A2:2013							
<b>Dimensions</b>	517 x 423 x 210 mm							

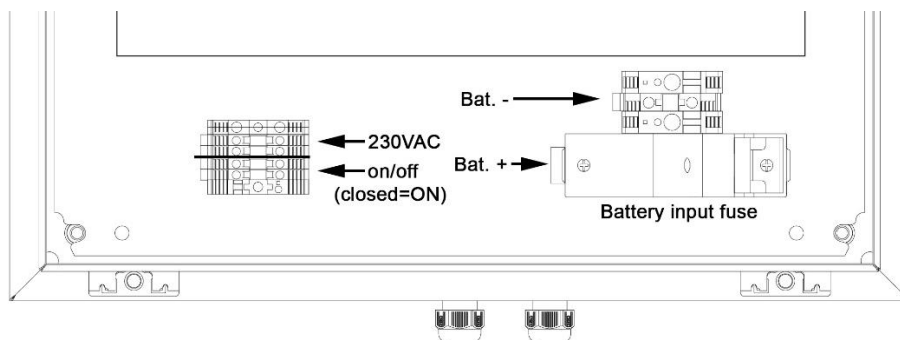
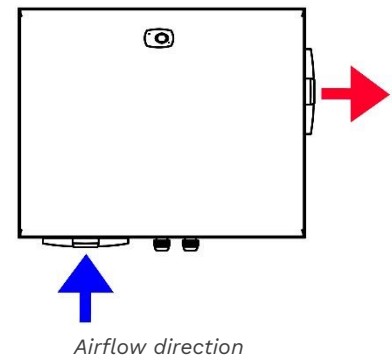
### Installation

The unit has to be mounted horizontal to accomplish the IP54 rating. Please make sure there is enough fresh air supply and sufficient space around the unit to dissipate the hot air. See the picture on the right.

The unit has four cable entries:

- Single core battery cable +
- Single core battery cable -
- Dual core cable to remote on/off switch
- Triple core cable AC output voltage

Open the top cover to access the input and output terminals. Here you can also access the mounting hole and the battery fuse.



The voltage meters for input voltage and output voltage, as well as the status and alarm led of the inverter can be viewed from the outside through the view window.

### Dimensions

All dimensions are in mm.

